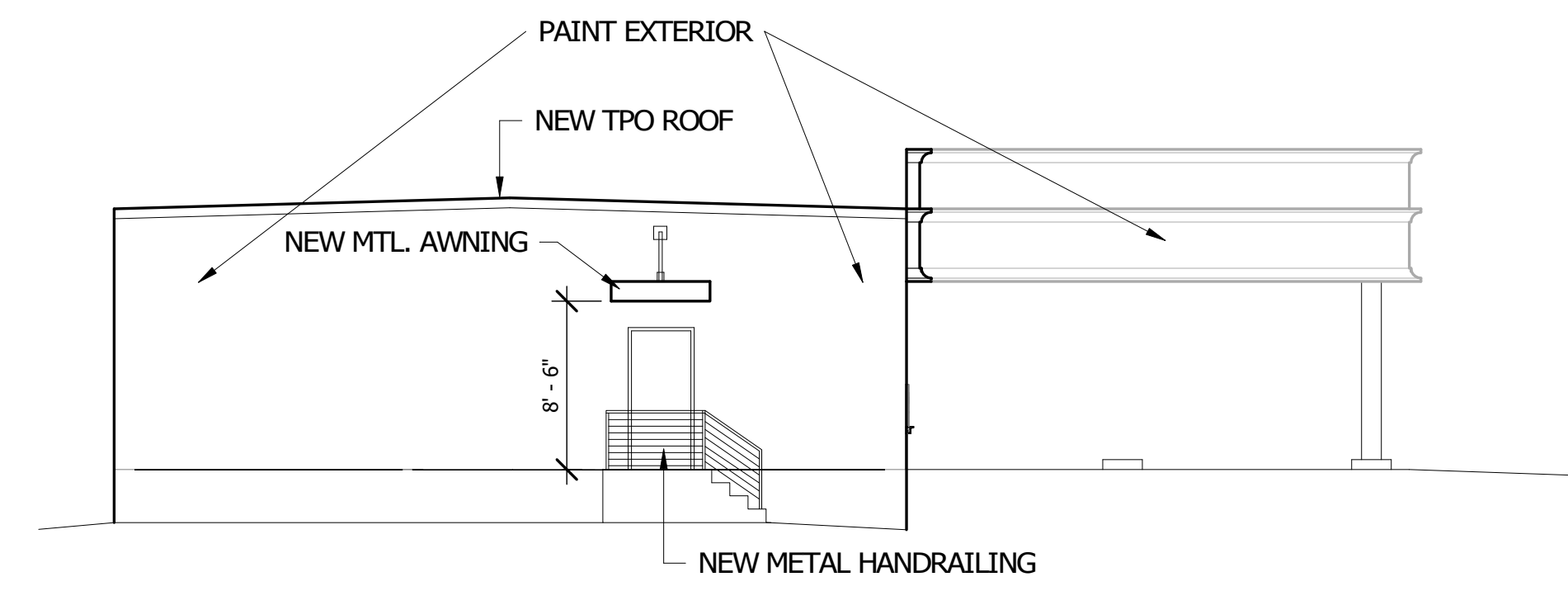
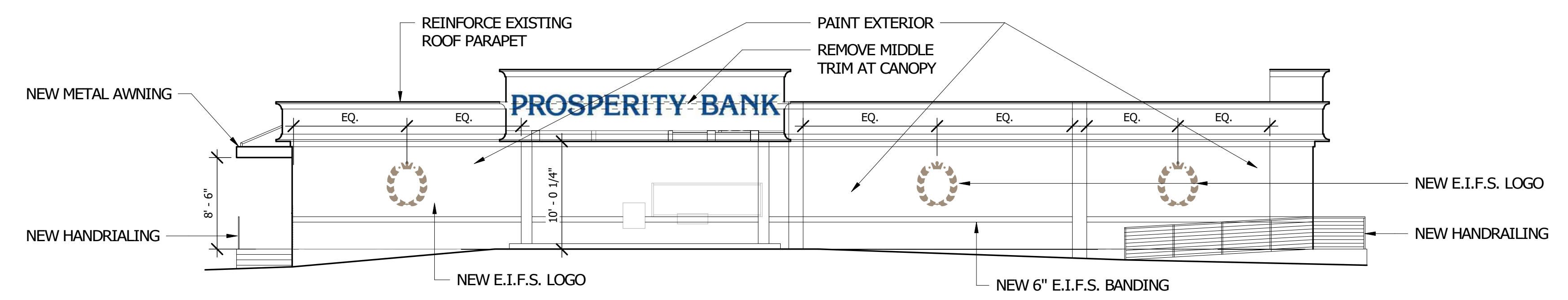


4 WEST ELEVATION
 1/8" = 1'-0"

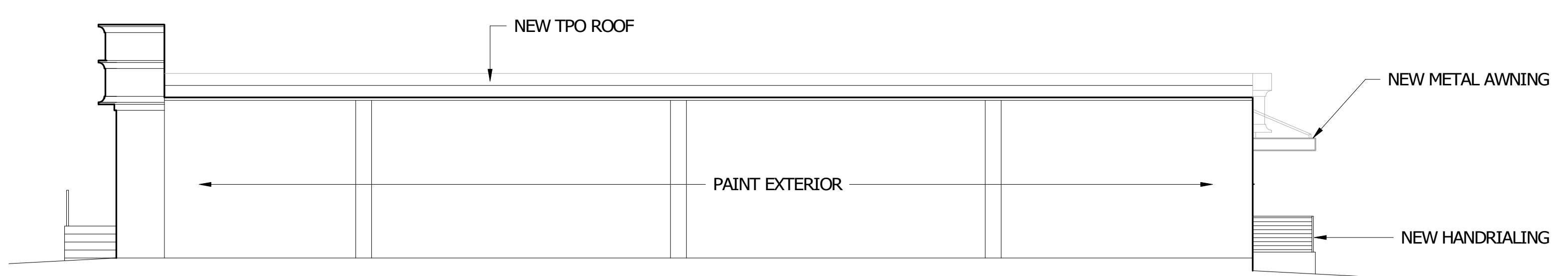


1 EAST ELEVATION
 1/8" = 1'-0"

NOTE:
 CONSTRUCT SITE MOCKUP FOR
 COLOR APPROVALS BY ARCHITECT
 AND OWNER.



2 NORTH ELEVATION
 1/8" = 1'-0"



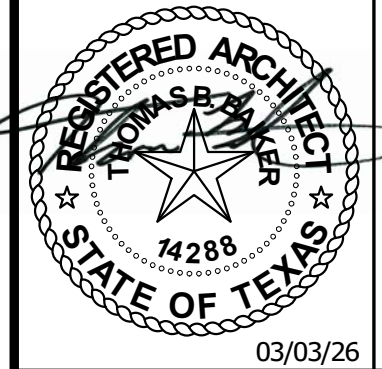
3 SOUTH ELEVATION
 1/8" = 1'-0"

ISSUED FOR CLIENT APPROVAL	DATE
ISSUED FOR BIDDING	02/25/26
ISSUED FOR PERMIT	03/04/26
ISSUED FOR CONSTRUCTION	

REVISIONS		
MARK	DESCRIPTION	DATE
A	Addendum A	03/06/26

The information, ideas, designs, details, layouts, techniques, features, arrangements, plans, sequences, dimensions, allowances, tolerances, concessions, specifications, intentions, technology or embodiments, as illustrated, arranged, displayed, noted, recorded, indicated, represented, disclosed, evidenced, detailed or otherwise related to tangible form hereby, either expressly, inherently or by implication, are the confidential and proprietary information of SLI Design, Inc., and shall not be used for any purpose other than the specific project or undertaking identified on the drawing title block or legend for which they are and have been prepared by SLI Design, Inc. Any other reproduction, disclosure or use of any portion of the confidential and proprietary information of SLI Design, Inc., shall be a breach of the obligation of confidence created by the acceptance of this drawing from SLI Design, Inc. for a specific project or Contract. Any copying, duplicating, reproducing, utilization, alteration, modification, revision or change to this drawing, is expressly prohibited unless done with the prior written consent or approval of SLI Design, Inc., and shall not be undertaken without receipt of such prior written approval. This drawing is loaned by SLI Design, Inc., for the limited purpose of complying with a specific Contract. The drawing remains the property of SLI Design, Inc., and shall be returned upon request or completion of the contract, unless specifically authorized by Contract, under which it was loaned.

PRINT DATE: 3/6/2026 2:04:11 PM



DRAWING TITLE	
EXTERIOR BUILDING ELEVATIONS	
DRAWN BY	Author SHEET NO.
CHECKED BY	Checker A-6.00
APPROVED BY	Approver